



## Soft Served K-Soft Soft Ice Cream Dispenser, 85cones/h (70gr) or 5kg, pump (UK)

ITEM # \_\_\_\_\_

MODEL # \_\_\_\_\_

NAME # \_\_\_\_\_

SIS # \_\_\_\_\_

AIA # \_\_\_\_\_



560054 (KSOFTPUK)

Soft ice cream dispenser with 2 l tank capacity and 1 l cylinder volume, hourly production: up to 70 cones (75 gr) or 5 kg, pump version, R452A - UK plug

### Short Form Specification

Item No. \_\_\_\_\_

Compact counter top unit for production of soft ice cream and frozen yogurt, ideal for small spaces. Hourly capacity: up to 70 cones (5 kg/h); 2lt capacity+1lt inside the freezing cylinder. Pump feeding system. Delivered with UK plug.

### Main Features

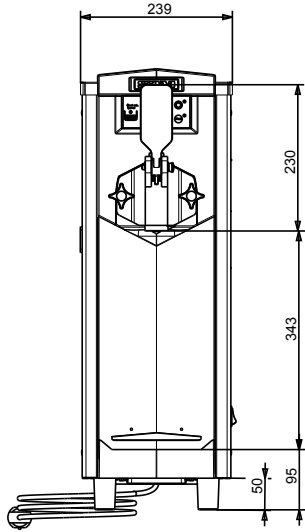
- Compact counter top unit for production of soft ice cream and frozen yogurt, ideal for small spaces.
- Pump feeding system.
- Very quiet operation.
- Hourly capacity (up to): 70 cones (5 kg/h).

APPROVAL: \_\_\_\_\_

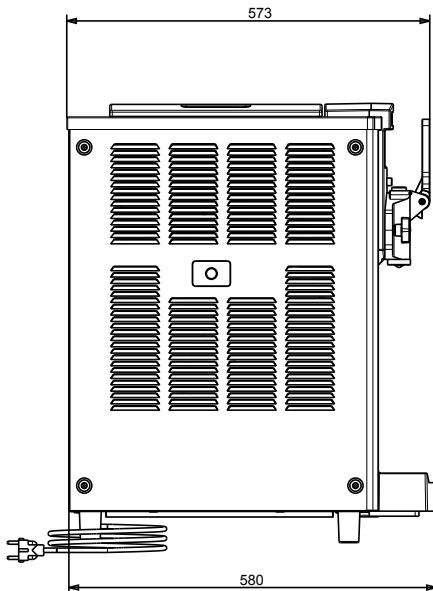


Experience the Excellence  
[www.electroluxprofessional.com](http://www.electroluxprofessional.com)

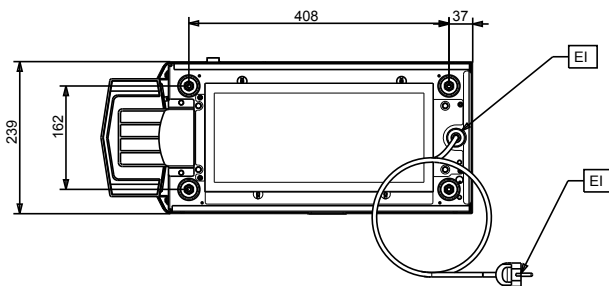
Front



Side



Top



### Electric

**Supply voltage:**

560054 (KSOFTEPUK) 220-240 V/1 ph/50 Hz

**Electrical power max.:**

1.05 kW

### Key Information:

**External dimensions, Width:** 240 mm

**External dimensions, Depth:** 570 mm

**External dimensions, Height:** 700 mm

**Net weight:** 60 kg

**Freezing cylinder capacity:** 1 l

**Preparation system:** pump

**Plug type:** UK-13A

### Sustainability

**Refrigerant type:** R452A